

Glove box holder

Alu Flex 3, Alu Flex 4 and Alu Flex 5



Hygienic and robust

Excellently organized: Up to five glove boxes can be safely stored in the HERZmed ALU FLEX glove holders made of precious aluminum. The flexible rail guide enables quick and simple adaptation to different removal options or box dimensions (manufacturer-dependent).

Due to the open presentation, the glove size on the packaging of the gloves can be grasped at a glance and the appropriate product can be taken out. In addition, the user can mount the ALU FLEX holders horizontally or also vertically on the wall. The smooth, powder-coated surface ensures quick and effective cleaning and disinfection.

Application



Step 1
Loosen screws



Step 2
Insert boxes, lock in place



Step 3
Fix screws again



Highlights

- Suitable for boxes of various manufacturers
- Stable, compact design,
- Flexible mounting options (vertical/horizontal)
- Hygienic storage
- Simple and quick to clean
- Bars flexibly adjustable for all common glove boxes
- Individually adaptable to requirements

Keyhole T-bore

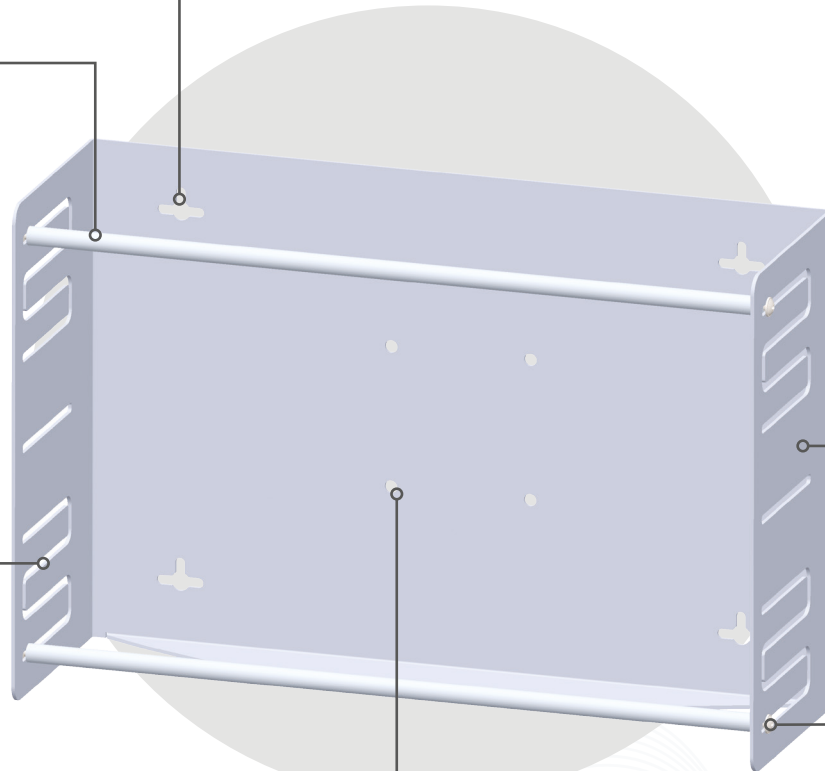
The special bore allows maximum flexibility in mounting. The glove holder can be mounted vertically or upright.

Aluminum brace

Adjustable aluminum brace to fix the glove boxes.

W-punching

The W-punching makes it possible to adapt to the different box sizes.



Powder coated Aluminum

The ALU FLEX is made of high quality aluminum and powder coated in RAL 7035. Individual painting is possible on request.

Adjusting screw

Easy to use adjusting screw for quick adjustment to various box sizes.

VESA 75

VESA 75 standard hole for easy mounting.

Perfectly organized

The practical „W-punching“ at the upper and lower retaining plate of the glove holders allows the aluminum bars to be adapted to any common box size. The additional „I-punching“ is used to lock left-right gloves (surgical area). The adjustment can be carried out quickly and easily. To make the adjustment, the screws on both sides of the struts must be loosened slightly, locked and then fixed again. Depending on the support requirements, you can choose between our three model sizes.

Technical specifications

Size:

ALU FLEX 3: 425 × 265 × 125 mm (L x W x H)
 ALU FLEX 4: 550 × 265 × 125 mm (L x W x H)
 ALU FLEX 5: 675 × 265 × 125 mm (L x W x H)

Weight:

ALU FLEX 3: ca. 1,18 kg
 ALU FLEX 4: ca. 1,4 kg
 ALU FLEX 5: ca. 1,62 kg

Coloring:

Light gray (RAL 7035),
 other paint colors possible on request

Space for standard glove boxes:

ALU FLEX 3: 3 pieces
 ALU FLEX 4: 4 pieces
 ALU FLEX 5: 5 pieces

Material:

Aluminum, powder coated

Order information

Art.-No.	Description
HZ-3103	ALU FLEX 3, Holder for 3 standard glove boxes
HZ-3104	ALU FLEX 4, Holder for 4 standard glove boxes
HZ-3105	ALU FLEX 5, Holder for 5 standard glove boxes

Order and advice by:

HERZmed GmbH

Herkulan-Schwaiger-Gasse 16
 82487 Oberammergau

Tel.: +49 (0) 911 / 14 88 959 - 0
Fax: +49 (0) 911 / 14 88 959 - 9

Mail: herzmed@herzmed.de
Web: www.herzmed.de

Die dargestellten Produkte sind nur ein Auszug unseres Produktsortimentes. Genaue Details und Produktinformationen erhalten Sie auf Anfrage oder unter www.herzmed.de. Alle mit einem Stern gekennzeichneten Preise verstehen sich zzgl. gesetzlicher MwSt. Alle verwendeten Markennamen bleiben Eigentum des jeweiligen Markeninhabers. Für Irrtümer, mögliche Druckfehler und Farbabweichungen übernehmen wir keine Haftung. Es gelten unsere Allgemeinen Geschäftsbedingungen, welche Sie ebenfalls unter www.herzmed.de einsehen können.

